



GARDEN EQUIPMENT

ZI du Plessis Beuscher – 35220 CHATEAUBOURG – FRANCE

Tel : 00 33 9.72.57.76.38 Fax : 00 33 9.72.57.76.42

Mail : contact@garden-equipment.fr

Site : www.garden-equipment.fr

TECHNICAL SHEET

CLIPLIFT™ Hydraulic lawn mower tilt





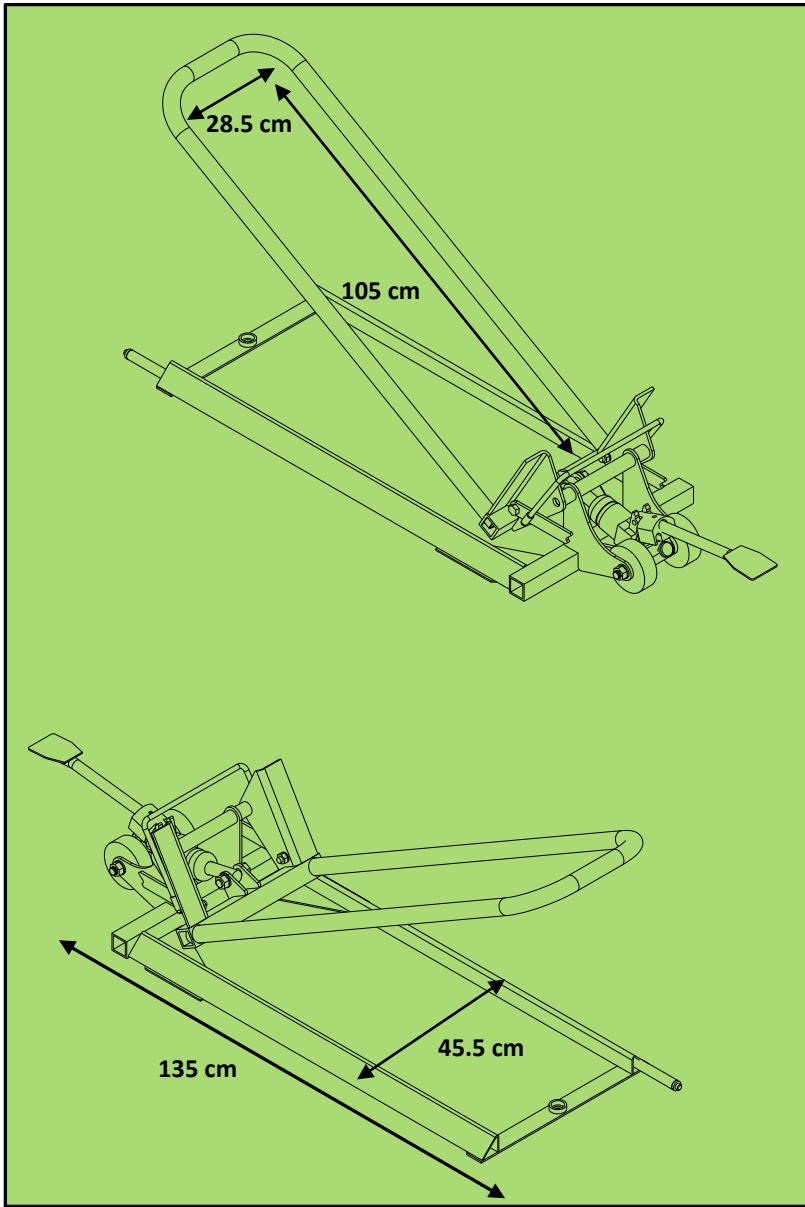
GARDEN EQUIPMENT

ZI du Plessis Beuscher – 35220 CHATEAUBOURG – FRANCE

Tel : 00 33 9.72.57.76.38 Fax : 00 33 9.72.57.76.42

Mail : contact@garden-equipment.fr

Site : www.garden-equipment.fr



Designed to tilt your tractor mower, **300 kg – 660 Lb**, with maximal deck of 122 cm – 48 in.

Delivered with a pedal, a safety strap*, a safety support, and a set hook/pin equipment to fix the device on a wall.

Steel structure, powder coated.

Net weight: 27kg – 59 Lbs / Gross weight: 28 kg – 62 Lbs

Packed by 2 materials. Dimensions: 135 x 48 x 30 cm / Weight: 56 kg

20 CLIPLIFT on 1 pallet - Dimensions: 140 x 95 x 160 cm / Weight: 570 kg

Dimensions:

Total Length: 135 cm – 53 in. / Total Width: 45.5 cm – 18 in.

Cradle's length (internal): 105 cm – 41 in.

Cradle's width (internal): 28.5 cm – 11 in.

Rollers' diameter: 9.5 cm – 3.7 in.

Maximum tilting angle: 45°.

The hydraulic cylinder is made from aluminium, the base is in zinc plated steel.

Hydraulic oil: TSX22. Volume max. : 110 cm³. / mini. 50 cm³.